

# DIGITAL PRESSURE SWITCHES

**MODEL:** DPS-75II

## SPECIFICATIONS

The DPS-75II Digital Pressure Switches with 1% full scale accuracy uses FTB-developed and patented technology as your cutting edge, cost-effective provider for digital solutions. The FTB-developed technology delivers stable and long-lasting performance. 5 1/2 digits white backlight LCD makes DPS-75II easy to read. The DPS-75II was built for the applications which the cost for digital solutions is highly concerned.



## GENERAL CHARACTERISTICS

**NOMINAL DIAMETERS (mm)** 75 (DN75)  
**PROCESS CONNECTION** Standard Brass 1/4" PT  
 SS316 Optional

**ACCURACY**  
 ±1,0% F.S. Accuracy

**CASE**  
 ABS Plastic

**AMBIENT TEMPERATURE**  
 -10...+75° C

**STORAGE TEMPERATURE**  
 -10...+50° C

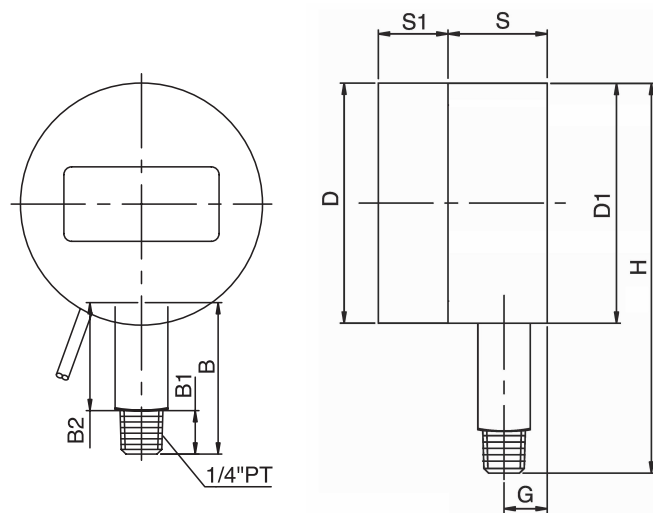
**WINDOW**  
 5 1/2 digits white backlight LCD

**POWER REQUIREMENT**  
 24 VDC

**RANGES**  
 Vacuum, Compound, and upto 1000 kg

**ENGINEERING UNITS**  
 Negative/Vacuum (kg/cm<sup>2</sup>, bar, "Hg, cmHg, mmHg), Positive (bar, psi, kg/cm<sup>2</sup>, MPa, kPa), Compound (kg/cm<sup>2</sup>, bar, "Hg, cmHg, mmHg)

## DIMENSIONS



Model	D	D1	D2	B	B1	B2	S	S1	S2	S3	R	G	H
DPS-75II	78	78		29	17	12	34	18				14	109