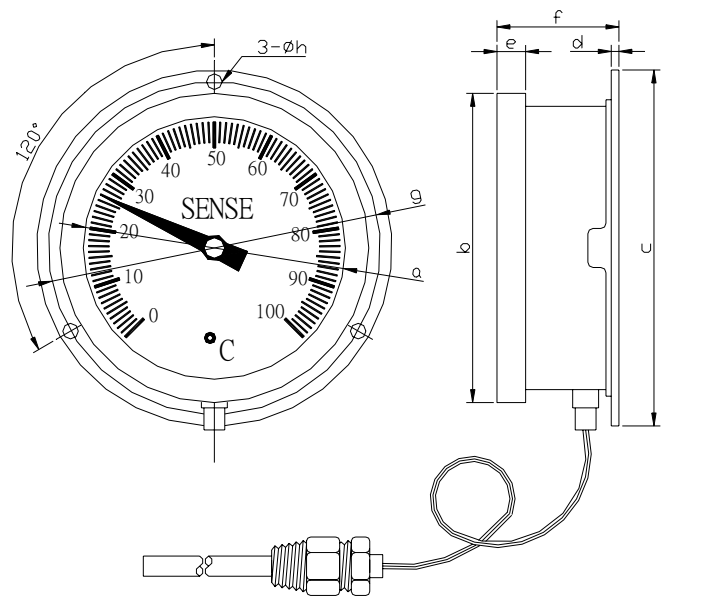




# 隔測壁掛式溫度計 LIQUID-FILLED THERMOMETERS MW TYPE REMOTE READING



Note:  
When ordering specify  
1.Type No.  
2.Case Dial.  
3.Temperature Range.  
4.Capillary Length  
5.Connection.  
6.Stem Dial.  
7.Stem Length.



MW4 TYPE  
MW3 TYPE

(mm)

Type No. Symbol	a	b	c	d	e	f	g
MW4	101	119	137	3	11	47	122
MW3	70	85	101	1	11	47	90

## Specifications.

- 1.Case Material:304、316 s.s.
- 2.Case Dial:3" Ø、4" Ø、6" Ø
- 3.Stem Material:304、316s.s.
- 4.Temperature Range:-50~600°C
- 5.Capillary Length:STD 3M.
- 6.Windows:Glass.
- 7.Connection:1/4"PT、3/8"PT、1/2" PT、3/4"PT、1"PT(NPT、BSP)
- 8.Stem Length:By order.
- 9.Accuracy:±1%F.S..
- 10.Type:MW3、MW4、MW6 TYPE
- 11.Appliactions:Transformer、petrochemicals、driers、foods、air conditioning equip、boilers & other general industrial uses.