



Pressure Gauge with Fixed Contacts

Series: EEGP

Model: 100FX

Features

EEPG-100FX Pressure Gauge with Fixed Contacts:

The EEGP-100FX Non-Contact Type Pressure Gauge with Adjustable Switches is manufactured under the FTB-Developed and Patent-Pending Technology for the core contact system of the gauge using the "non-contact" sensing system as the major device to keep the switchings more smooth, accurate, quick, and thus make the life-span longer.

Pressure gauge with non-contact sensor works best for the applications where pressure switches are necessary. Because of the benefits of a combination of a high quality pressure gauge with FTB Patent-Pending "non-contact" Technology, the EEGP-100FX performs merely no tolerances for the pressures setup on EEGP-100FX. This is because of the integration of a non-contact sensor built inside the quality FTB pressure gauge to minimize the tolerances for both devices. The contact setup range is the full pressure range of 270 degrees of the dial.

Non-Contact Sensor built inside the quality FTB pressure gauge provides a perfect system without the concerns of the contact burning phenomenon for contact type switch.

Quick operating and releasing time to meet the requirements for quick operations from the applications such as rubber injection machines and other applications.



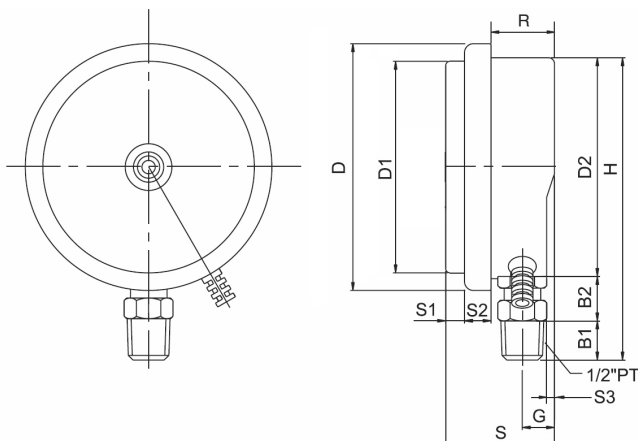
SPECIFICATIONS

Material	Connection
Chrome-Plated Steel Case	1/2" NPT, PT, PF, M20x1.5
Contact Accuracy	Contact and Power Rating
$\pm 0.5\%$	Type of Fixed Contacts: A (NO), B (NC)
Pressure Units	Contact Setting: B (NC) @0.125 psi, A (NO) @8.5 psi
PSI, BAR, KPA, MPA, Kg, kPa	Contact Form: SPST Form B
Pressure Ranges	Power: Max. 250 VAC/30 VDC @10 A
0-1000 Kg in between	Input Power & Wiring: 24 VDC, + (Red), -0V(Black)
Accuracy	Contact Wiring: @0.125 psi, +(White), Com(Green)
$\pm 1.5\%$	@8.5 psi, +(Yellow), Com(Grey)

APPLICATIONS

- Refrigeration and Automation
- Pumps and Valves
- Pneumatics and Hydraulics
- Waste Water Treatment Industry
- Agricultural Mechnery
- Food Industry
- Petroleum and Irrigation Systems

DIMENSIONS



Model	D	D1	D2	D3	B	B1	B2	S	S1	S2	S3	R	G	H
EEPG-100FX	115	97	101.6			16	18	61	8.5	12	6	40	20	141.5