



Pressure Gauge with Output Signals



Series: MTG

Model: 100

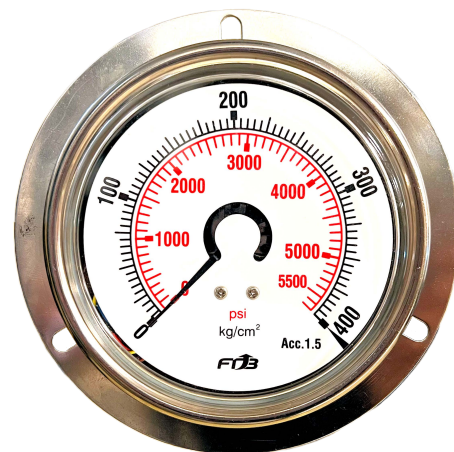
Features

MTG-100 Pressure Gauge with Output Signals:

The MTG-100 is manufactured under FTB-Developed and Patent-Pending Technology for the core contact system of the gauge using the "non-contact" sensing system as the major device to keep the switchings more smooth, wear-free, accurate, quick, and thus make the life-span longer.

The MTG-100 offers an analog gauge dial to display the process pressure locally. Additionally, no worries to be afraid of power outage caused unexpectedly to make your applications stopped working without a pressure reading, our MTG-100 can surely solve your problems just as easy as 1-2-3. Simply monitor the pressure reading from the gauge just like a standard pressure gauge. MTG Series with non-contact sensor works best for the applications where high pressure switches are necessary. Because of the benefits of a combination of a high quality pressure gauge with FTB Patent-Pending "non-contact" Technology, the MTG Series performs free from wear and friction. This is because of the integration of a non-contact sensor built inside the quality FTB pressure gauge to minimize the tolerances for both devices.

Pressure ranges available are up to 1000 bar for most applications on recent market.



SPECIFICATIONS

Case Material

Stainless Steel 304

Gauge Accuracy

<±1.5%

Pressure Units

PSI, BAR, KPA, MPA, Kg, kPa

Pressure Ranges

Vacuum, Compound, 0-15000 psi in between

Output Accuracy

<±1.5%

Connection

1/4", 3/8", or 1/2" NPT, PT, PF

Power Supply

DC 10-30V (24V Recommended)

Analog Output

4-20 mA (3-wire)

NPN/PNP Contacts

5 Modes to choose from

Serial Communication

RS-485 Modbus RTU Protocol

APPLICATIONS

Refrigeration and Automation

Pumps and Valves Pneumatics and Hydraulics Waste Water

Treatment Industry Agricultural

Machinery

Food Industry

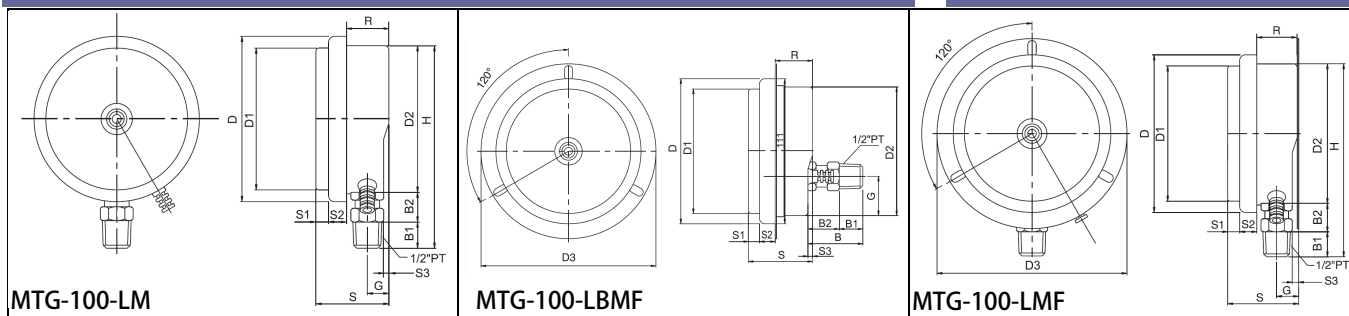
Petroleum and Irrigation Systems

General Machine Building

Technical and Medical Gases

Renewable Energies

DIMENSIONS



型號	D	D1	D2	D3	B	B1	B2	S	S1	S2	S3	R	G	H
MTG-100-LM	111	95.2	98.4			18	24	49	8.5	12	3.5	28.5	14.5	136
MTG-100-LBMF	111	95.2	98.4	133.8	42	18	24	49	8.5	12	3.5	28.5	30	
MTG-100-LMF	111	95.2	98.4	133.8		18	24	49	8.5	12	3.5	28.5	14.5	136