

# PRESSURE GAUGE WITH OUTPUT SIGNAL

MODEL: SF725-13TR

## SPECIFICATIONS

An FTB developed non-contact sensor used on our mechanical pressure gauge with electrical output makes the gauge durable and easy to install. From this, the electrical output signal proportional to the pressure, 4 ... 20 mA, is produced. The electronic FTB non-contact sensor, integrated into the high-quality pressure gauge, combines the advantages of electrical signal transmission with the advantages of a local mechanical display.

The measuring span (electrical output signal) is adjusted automatically along with the mechanical display, i.e. the scale over the full measuring range corresponds to 4 ... 20 mA.

## GENERAL CHARACTERISTICS

### NOMINAL DIAMETERS (mm)

100 (DN100)

### ACCURACY

±1,5% F.S. Accuracy

### POINTER

Black Aluminum

### RING

Bayonet Lock, Stainless Steel AISI 304 with Antitampering Sealing

### RANGES

Vacuum & Compound Gauges

### WINDOW

Safety Glass

### MOVEMENT

Stainless Steel AISI 316 from Germany

### DIAL

White Aluminum with Black Markings and Colors Sectors as per Customer's Specification

### WEIGHT

0.9 KG

### ANALOG OUTPUT

Standard 3-wire 4-20 mA or 0-5/10 VDC  
Accuracy:  $\leq \pm 2,0\%$  F.S.  
Optional RS-485 available with voltage output type only.

## TECHNICAL FEATURES

### AMBIENT TEMPERATURE

-20...+60°C

### CASE

Fully Welded Stainless Steel AISI 304

### PROTECTION DEGREE

IP 65 as per EN 60 529 / IEC 529

### STORAGE TEMPERATURE

-50...+60°C

### PROCESS CONNECTION

Fully Welded Stainless Steel AISI 316  
M20 x 1,5  
G½ B Thread (EN 837), SW22

### BOURDON TUBE

Stainless Steel AISI 316 from Germany



SF725-13TR

## ELECTRICAL CONNECTION

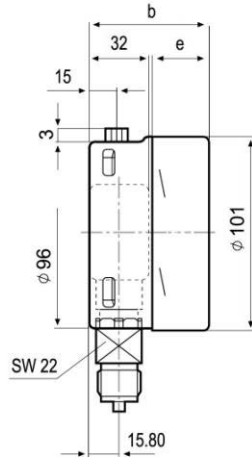
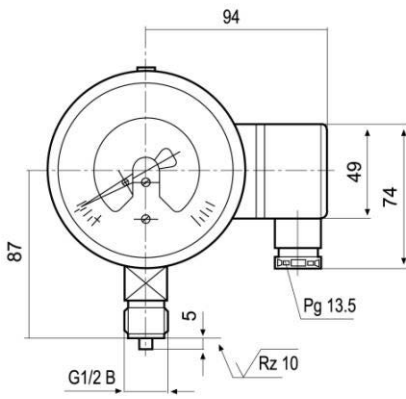
Junction Box with Cable Gland  
M20 x 1,5 – PG 13,5 (2,5 mm<sup>2</sup>)

## OPTIONS & ACCESSORIES

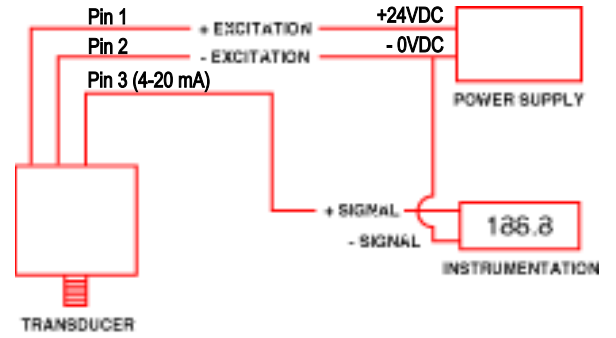
Junction Box on the Left

Removable Junction Box – PG13,5

## DIMENSIONS (MM)



## WIRING DIAGRAM



## DIMENSIONS (MM)

b	e
63	31